

**PLEASE CHECK WWW.MOLEX.COM FOR LATEST PART INFORMATION**

**Part Number:** [0533580940](#)  
**Status:** **Active**  
**Description:** 2.00mm (.049") Pitch Mi II™ Wire-to-Wire Adapter, 9 Circuits, Lead-free

**Documents:**

[3D Model](#) [Product Specification PS-53358-001 \(PDF\)](#)  
[Drawing \(PDF\)](#) [RoHS Certificate of Compliance \(PDF\)](#)  
[Product Specification PS-51090-003 \(PDF\)](#)

**Agency Certification**

CSA LR19980  
 UL E29179

**General**

Product Family Accessories  
 Series [53358](#)  
 Comments For Panel Mounting  
 Component Type Adapter  
 Product Name Mi II™

**Physical**

Circuits (Loaded) 9  
 Color - Resin Natural  
 Flammability 94V-0  
 Gender N/A  
 Lock to Mating Part Yes  
 Material - Metal Brass  
 Material - Plating Mating Tin  
 Material - Plating Termination Tin  
 Material - Resin Polyester  
 Number of Rows 1  
 Packaging Type Bag  
 Plating min: Mating (µin) 40  
 Plating min: Mating (µm) 1.00  
 Plating min: Termination (µin) 40  
 Plating min: Termination (µm) 1.00  
 Polarized to Mating Part Yes  
 Temperature Range - Operating -40°C to +105°C

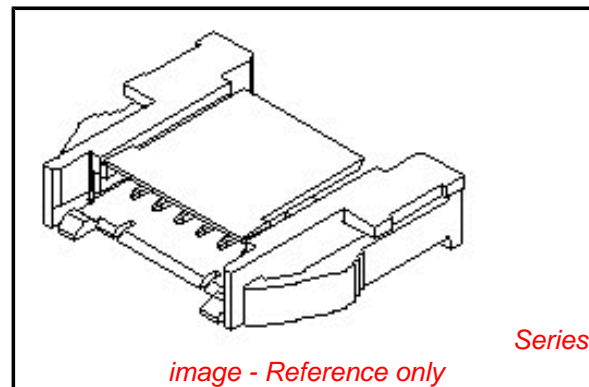
**Electrical**

Current - Maximum per Contact 2A

**Material Info**

**Reference - Drawing Numbers**

Product Specification PS-51090-003, PS-53358-001, RPS-53358-001  
 Sales Drawing SD-53358-001



*image - Reference only*

**EU RoHS**

**ELV and RoHS  
 Compliant**  
**REACH SVHC  
 Contains SVHC: No**  
**Halogen-Free  
 Status  
 Not Reviewed**

**China RoHS**



**Need more information on product  
 environmental compliance?**

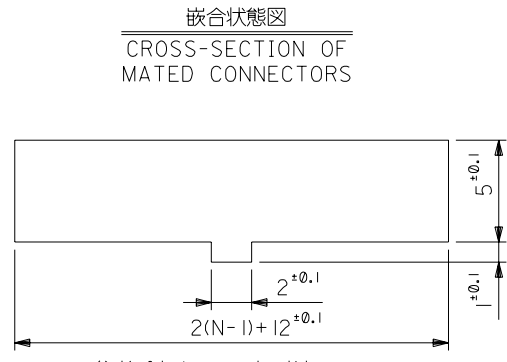
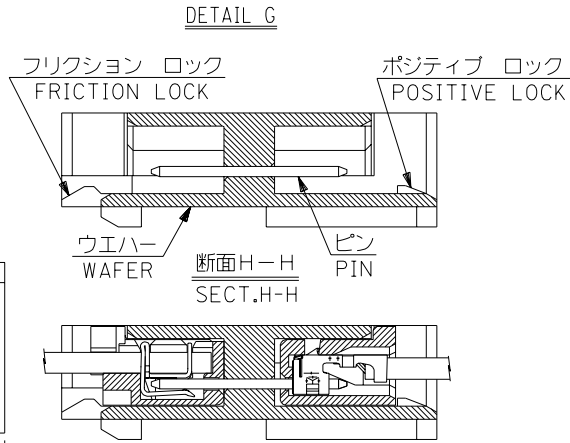
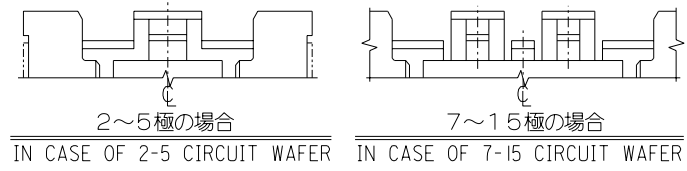
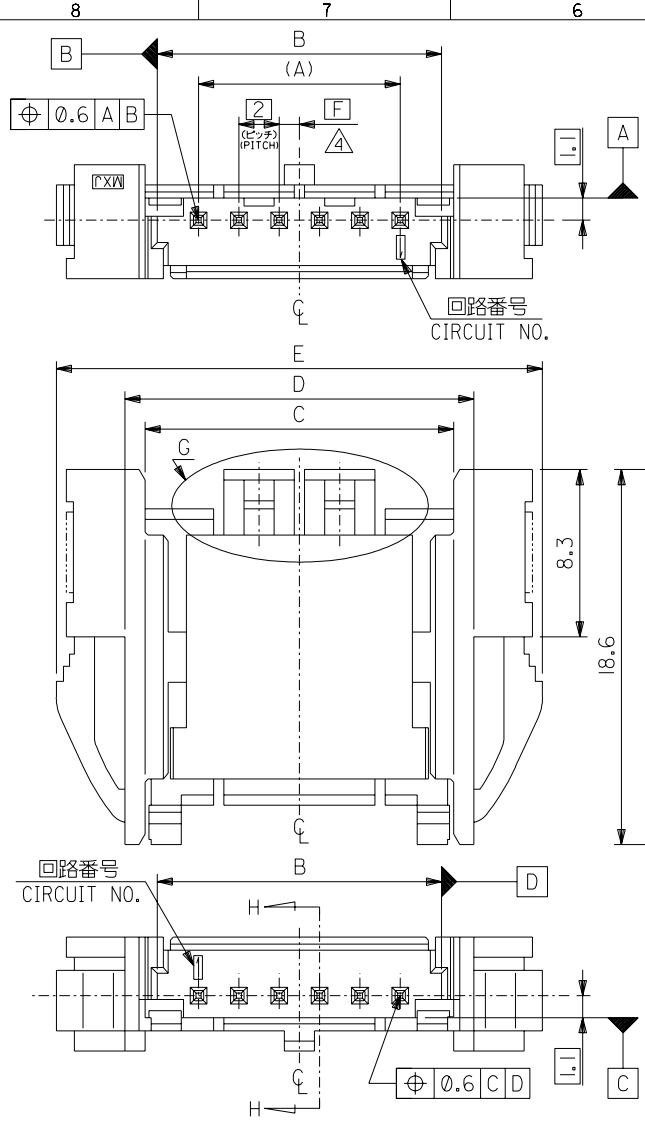
Email [productcompliance@molex.com](mailto:productcompliance@molex.com)  
 For a multiple part number RoHS Certificate of  
 Compliance, [click here](#)

Please visit the [Contact Us](#) section for any  
 non-product compliance questions.

**Search Parts in this Series**  
[53358Series](#)

**Use With**  
[51090 Crimp Housing](#), [52484 IDT Housing](#)

DWG. NO. SD-53358-001



参考パネルスロット寸法  
PANEL SLOT DIM.(REF.)  
(パネル厚:0.8~2.0)  
(THICKNESS : 0.8-2.0)

無鉛  
LEAD FREE

注記  
NOTES

- 材料 MATERIAL  
ウエハー : PBT,UL94V-0  
WAFER : PBT,UL94V-0  
ピン : 黄銅, スズメッキ(0.05)  
PIN : BRASS, TIN PLATED (0.5 SQUARE)
  - 適合圧着ハウジング : 51090-\*\*\*00  
MATING CRIMP RECEPTACLE HOUSING:51090-\*\*\*00
  - 適合圧接ハウジング : 52484-\*\*\*1  
MATING IDT RECEPTACLE HOUSING:52484-\*\*\*1
- △ B寸法の中心から、隣接するピンの中心までの位置を示す。  
THIS DIMENSION SHOWS SPACING BETWEEN CENTER OF PIN AND CENTER OF B DIMENSION.
- 本図は、6極を示す。  
6 CIRCUIT VERSION IS SHOWN IN THIS DRAWING.
  - ハウジングは、パネル打抜き側から挿入すること。  
INSERT HOUSING FROM PUNCH SIDE OF PANEL.
  - 色  
53358-\*\*\*40: 自然色 (WHITE)  
53358-\*\*\*42: 赤色 (RED)  
53358-\*\*\*43: 黄色 (YELLOW)  
53358-\*\*\*44: 青色 (BLUE)

2	42.1	35.3	33.3	32.1	28	53358-154*	15
1	40.1	33.3	31.3	30.1	26	-144*	14
2	38.1	31.3	29.3	28.1	24	-134*	13
1	36.1	29.3	27.3	26.1	22	-124*	12
2	34.1	27.3	25.3	24.1	20	-114*	11
1	32.1	25.3	23.3	22.1	18	-104*	10
2	30.1	23.3	21.3	20.1	16	-094*	9
1	28.1	21.3	19.3	18.1	14	-084*	8
2	26.1	19.3	17.3	16.1	12	-074*	7
1	24.1	17.3	15.3	14.1	10	-064*	6
2	22.1	15.3	13.3	12.1	8	-054*	5
1	20.1	13.3	11.3	10.1	6	-044*	4
2	18.1	11.3	9.3	8.1	4	-034*	3
1	16.1	9.3	7.3	6.1	2	53358-024*	2
F	E	D	C	B	A	ENG. NO.	CKT.

DO NOT SCALE DRAWING

図番 NO. DRAWN: CH'K: APPR: 図番 NO. DRAWN: CH'K: APPR: 図番 NO. DRAWN: CH'K: APPR: 図番 NO. DRAWN: CH'K: APPR:	図番 NO. 42003-1394 DRAWN: S.SHIBATA '02/11/21 CH'K: T.KANEKO '02/11/21 APPR: YO.ITO '02/11/21	MATERIAL 材料 FINISH 仕上げ WIRE RANGE 適用線径範囲 INS. RANGE 被覆外径	GENERAL TOLERANCES: (UNLESS SPECIFIED) 一般公差 10 UNDER 未満 ±0.2 10 OVER 以上 30 UNDER 未満 ±0.25 30 OVER 以上 ±0.3 ANGLE 角度 ±3°	SCALE 1:1 DESIGN UNITS ①mm ②INCH DRAWN BY & DATE S.Shibata '02/11/21 CHECKED BY & DATE Y.Ito '02/11/21 APPROVED BY & DATE Y.Ito '02/11/21	DIMENSIONS: ①mm ②INCH ③mm ONLY SHT 2 REV ON CAD ONLY	TITLE: 2.0 WIRE TO WIRE CONN. PANEL MOUNT WAFER ASS'Y MOLEX MOLEX INCORPORATED	CAD FILENAME SD-53358-001.DGN MATERIAL NO. SEE CHART DRAWING NO. SD-53358-001 SHEET NO. 1 OF 1